

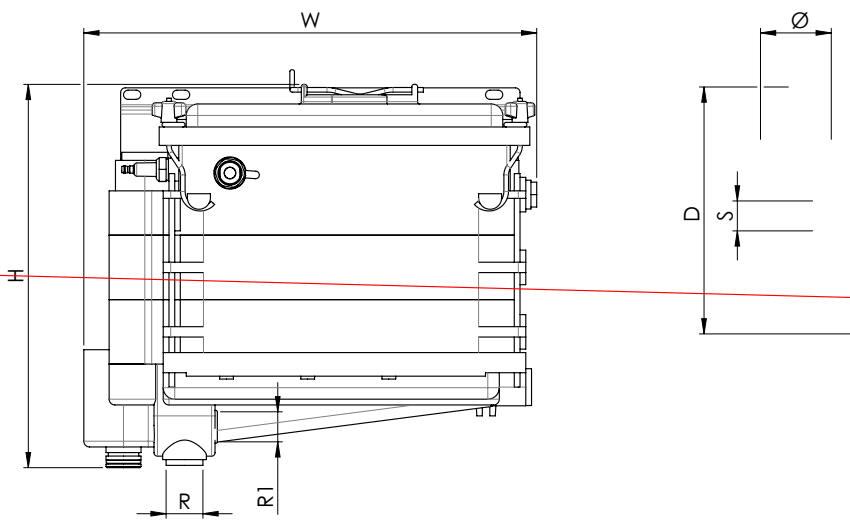


BIOMIMETIC

G20 ENGINEERING



MADE IN ITALY



| Model | W | D | H | S | R/RI | Ø |
|-------------|-------------------|------------------|-------------------|------------|------------|----------------|
| B25 | 325 mm / 12,8 in. | 220 mm / 8,7 in. | 333 mm / 13,1 in. | 3/4" NPT | 3/4" NPT | 60 mm / 2" 3/8 |
| B35 | 390 mm / 15,3 in. | 220 mm / 8,7 in. | 333 mm / 13,1 in. | 3/4" NPT | 3/4" NPT | 60 mm / 2" 3/8 |
| B65 | 390 mm / 15,3 in. | 220 mm / 8,7 in. | 390 mm / 15,3 in. | 1" 1/4 NPT | 1" 1/4 NPT | 60 mm / 2" 3/8 |
| B110 | 390 mm / 15,3 in. | 220 mm / 8,7 in. | 501 mm / 19,7 in. | 1" 1/2 NPT | 1" 1/2 NPT | 80 mm / 3" |

■ 25Kw - 95 MBH BIMETAL HEAT EXCHANGER

■ 35Kw - 133 MBH BIMETAL HEAT EXCHANGER

■ 65Kw - 245 MBH BIMETAL HEAT EXCHANGER

■ 110Kw - 410 MBH BIMETAL HEAT EXCHANGER

Specifications

| Model | Max. working pressure | Input (MBH) | | Output (MBH) average | Efficiency % |
|-------------|-----------------------|-------------|-------|----------------------|--------------|
| | | Min | Max | | |
| B25 | 6 bar - 90 psi | 14,5 | 95,0 | 87,0 | 92,6 |
| B35 | 6 bar - 90 psi | 20,0 | 133,0 | 123,2 | 93,0 |
| B65 | 6 bar - 90 psi | 38,0 | 245,0 | 227,8 | 94,0 |
| B110 | 6 bar - 90 psi | 65,0 | 410,0 | 382,5 | 94,3 |

3
N
E
T
V
R

 ENGINEERING



MADE IN ITALY

G20 ENGINEERING SRL Loc. Campogrande, 13 - 29013 CARPANETO PIACENTINO (PC)
phone + 39 (0) 523 850513 - fax +39 (0) 523 850712 - www.aircontrol-pc.com - www.g20engineering.com